

AFCI



ARC FAULT CIRCUIT INTERRUPTER

AFCI

- Overcurrent protect
- Surge protect
- Block cause analysis
- Arc detect

ARC FAULT CIRCUIT INTERRUPTER

AFCI



MAIN FUNCTION

- Overcurrent protect
- Surge protect
- Block cause analysis
- Arc detect

AFCI - ARC FAULT CIRCUIT INTERRUPTER

Arc means a discharge phenomenon continuously emit light between the insulator.

These arcs are thermally to generate in the insulator, causing fire. According to the article in the Korea Electrical Safety Corporation, more than 70 percent of the cause of electrical fires occur, there is a short-circuit, occurred poor contact arc. In a typical circuit breaker is no block function of when the arc is generated, only over-current block.

For this reason, we have developed a AFCI to block by detecting the arc that is outside the scope of protection of the general circuit breaker

HIGHLIGHTS

- Circuit breaker stand-alone product
- Block cause analysis
- Blocked history can be checked
- Arc Protection

APPLICATION AREAS

- Communication facility
- Broadcast facility
- Security facility
- Public facility
- Agriculture facility
- Fishery facility

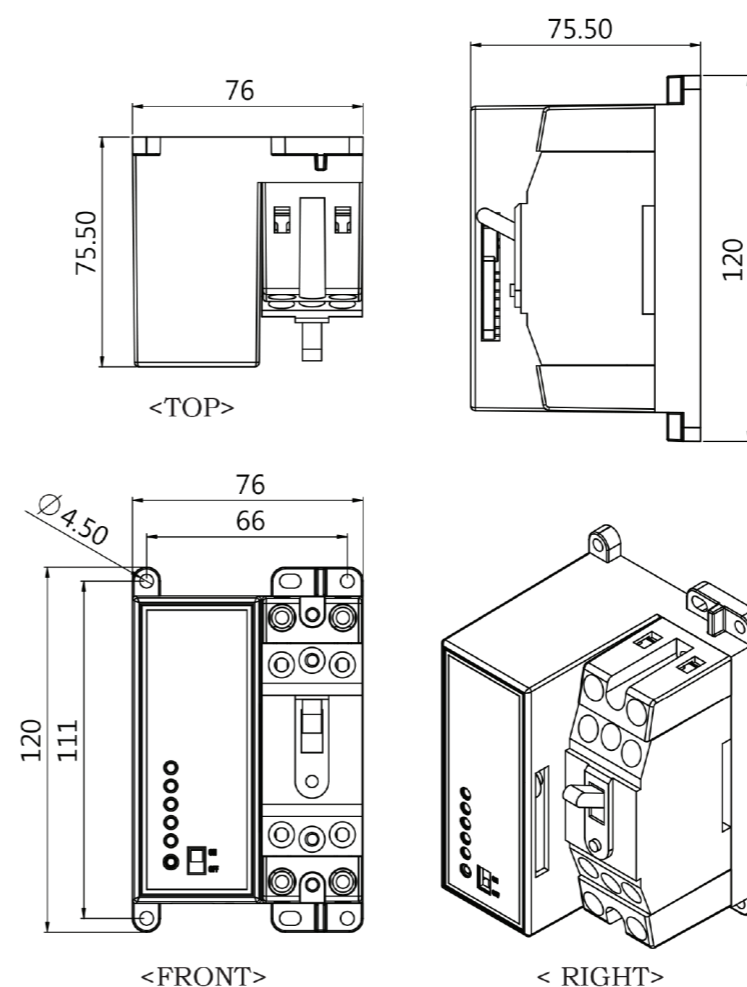
BASIC TECHNICAL DETAILS

Rated Voltage	220 V
Pole & Element	2P - 2E
Type	1P - 2W
Rated Current	20 A
Rated Frequency	60 Hz
Rated Breaking Current	2.5 kA
Rated Non Breaking Current	15 mA
Operation Time	under 0.03 sec

TECHNICAL DETAILS

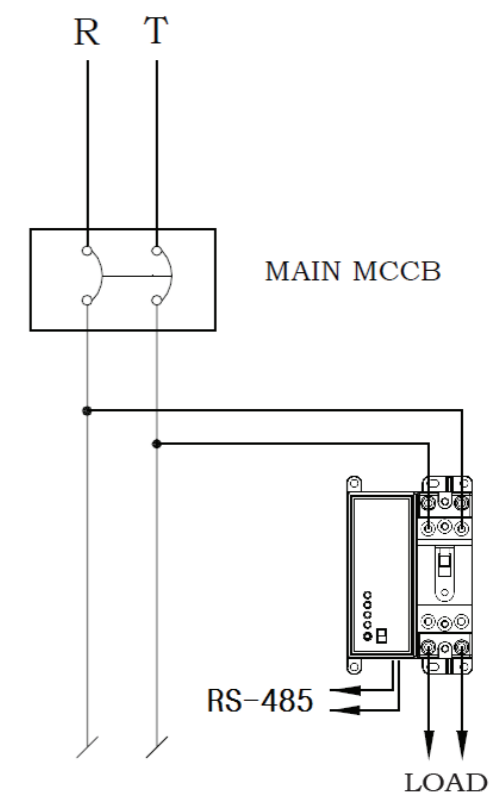
Protection	Display when breaker operation due to surge, overcurrent, Arc Don't restore due to overload, Arc or short circuits
Measurement	Voltage, Current
Show cause blocking method	Display the LED when overcurrent, surge, Arc
Communication Interface (Option)	RS-485
Removable Terminal	Only replaceable stability and circuit breaker equipment
Related Standards(Standard)	FIS-015 (KFI)
Size (W x D x H)	75 x 120 x 75.5 [mm]
Operation Temperature	-20 ~ 60 °C

WIRE CONNECTION



DIMENSION INFORMATION

MAIN POWER SUPPLY
(220V 60HZ)



ARC FAULT CIRCUIT INTERRUPTER AFCI



www.oeuncni.com

OEUN CNI CO., Ltd.

904, Mecha-zone, SK Technopark, 50, Wanam-ro, Seongsan-gu, Changwon-si, Gyeongnam, 51573, Korea
Phone : +8255-312-8611 Fax : +8255-600-6711 Email : karis870@naver.com